

Steps

MOTORISED STEPS	
Fit Guide - Thule Slide-Out Step	280
Thule Slide-Out Step G2 12V	282
Thule Slide-Out Step G2 12V Ducato Jumper Boxer Euro 6D	284
Thule Slide-Out Step G2 12V Crafter 2017	286
Thule Single Step V15 12V	288
Thule Single Step Compact 12V	290
Thule Double Step 12V	292

ACCESSORIES FOR MOTORISED SLIDE-OUT STEPS	
Thule Relay Kit for Step 12V	294
Thule Control Box for Step 12V	294
Thule LED Kit for Slide-Out Step	295
Mounting Kit for Thule Slide-Out G2 12V	296

MANUAL STEPS	
Thule Single Step Manual	298
Thule Slide-Out Step Manual	300

Fit Guide - Thule Slide-Out Step G2

	Fiat Ducato Peugeot Boxer Citroën Jumper Opel Movano > 2022	Volkswagen Crafter > 2017	Mercedes Sprinter FWD > 2017	Mercedes Sprinter RWD / 4WD 05 / 2006 - Volkswagen Crafter 05 / 2006- 2017	Renault Master Opel Movano < 2022	Ford Transit FWD	New Ford Transit AWD
From Q3 2021							
Step	400	301841 Thule Slide-Out Step 12V G2 DuuJubo 400	301844 Thule Slide-Out Step 12V G2 Crafter 2017 400	301838 Thule Slide-Out Step 12V G2 400			
	550	301842 Thule Slide-Out Step 12V G2 DuuJubo 550	301845 Thule Slide-Out Step 12V G2 Crafter 2017 550		301839 Thule Slide-Out Step 12V G2 550		
	700	301843 Thule Slide-Out Step 12V G2 DuuJubo 700	301846 Thule Slide-Out Step 12V G2 Crafter 2017 700		301840 Thule Slide-Out Step 12V G2 700		
Installation Kit	301877 Thule Installation Kit Slide-Out Step 12V G2 Ducato Jumper Boxer	301878 Thule Mounting Kit for Slide-Out Step 12V G2 Crafter 2017 - 400/700	301881 Thule Mounting kit for Slide-Out Step 12V G2 for Sprinter RWD/AWD and Crafter < 2017	301882 Thule Mounting kit for Slide-Out Step 12V G2 for Master 2010	301883 Thule Mounting kit for Slide- Out Step 12V G2 for Transit FWD < 2014	301898 Thule Mounting Kit for Slide- Out Step 12V G2 for Transit FWD ≥ 2014	301899 Thule Mounting Kit for Slide- Out Step 12V G2 Transit AWD ≥ 2014

Fit Guide - Thule Slide-Out Step G2 - On Pallet/Gitter box*

	Fiat Ducato Peugeot Boxer Citroën Jumper Opel Movano > 2022	Volkswagen Crafter > 2017	Mercedes Sprinter FWD > 2017	Mercedes Sprinter RWD / 4WD 05 / 2006 - Volkswagen Crafter 05 / 2006-2017	Renault Master Opel Movano < 2022	Ford Transit FWD	Ford Transit AWD
From Q3 2021							
400	301850 Thule Slide-Out Step G2 12V DuJuboo 400 On Pallet			301847 Thule Slide-Out Step G2 12V 400 On Pallet 20**			
	301851 Thule Slide-Out Step G2 12V DuJuboo 400 N/A On Pallet						
550	301852 Thule Slide-Out Step G2 12V DuJuboo 550 On Pallet			301848 Thule Slide-Out Step G2 12V 550 On Pallet 20**		301848 Thule Slide-Out Step G2 12V 550 On Pallet 20**	
	301855 Thule Slide-Out Step G2 12V DuJuboo 550 Full Rail On Pallet	301857 Thule Slide-Out Step G2 12V Crafter 2017 550 On Pallet	301860 Thule Slide-Out Step G2 12V Sprinter FWD 550 On Pallet			303200 Thule Slide-Out Step G2 12V Transit FWD ≥ 2014 550 On Pallet 20	
700	301853 Thule Slide-Out Step G2 12V DuJuboo 700 On Pallet			301849 Thule Slide-Out Step G2 12V 700 On Pallet 20**		301849 Thule Slide-Out Step G2 12V 700 On Pallet 20**	
	301854 Thule Slide-Out Step G2 12V DuJuboo 700 N/A On Pallet	301858 Thule Slide-Out Step G2 12V Crafter 2017 700 On Pallet		301849 Thule Slide-Out Step G2 12V 700 On Pallet 20**	303203 Thule Slide-Out Step G2 12V Master & Movano < 2022 700 On Pallet 20	303201 Thule Slide-Out Step G2 12V Transit FWD ≥ 2014 700 On Pallet 20	303202 Thule Slide-Out Step G2 12V Transit AWD ≥ 2014 700 On Pallet 20
	301856 Thule Slide-Out Step G2 12V DuJuboo 700 Full Rail On Pallet						

* Only for manufacturers
** Mounting kit not included; see page 36

Thule Slide-Out Step G2 12V



INFO

- Motor / Manual 12V Motor
- Material Corrugated anodised aluminium
- This product is compliant with UN ECE R10 regulations (E8*10R606/02*15408*00, issued on 09/01/2025)

USP'S

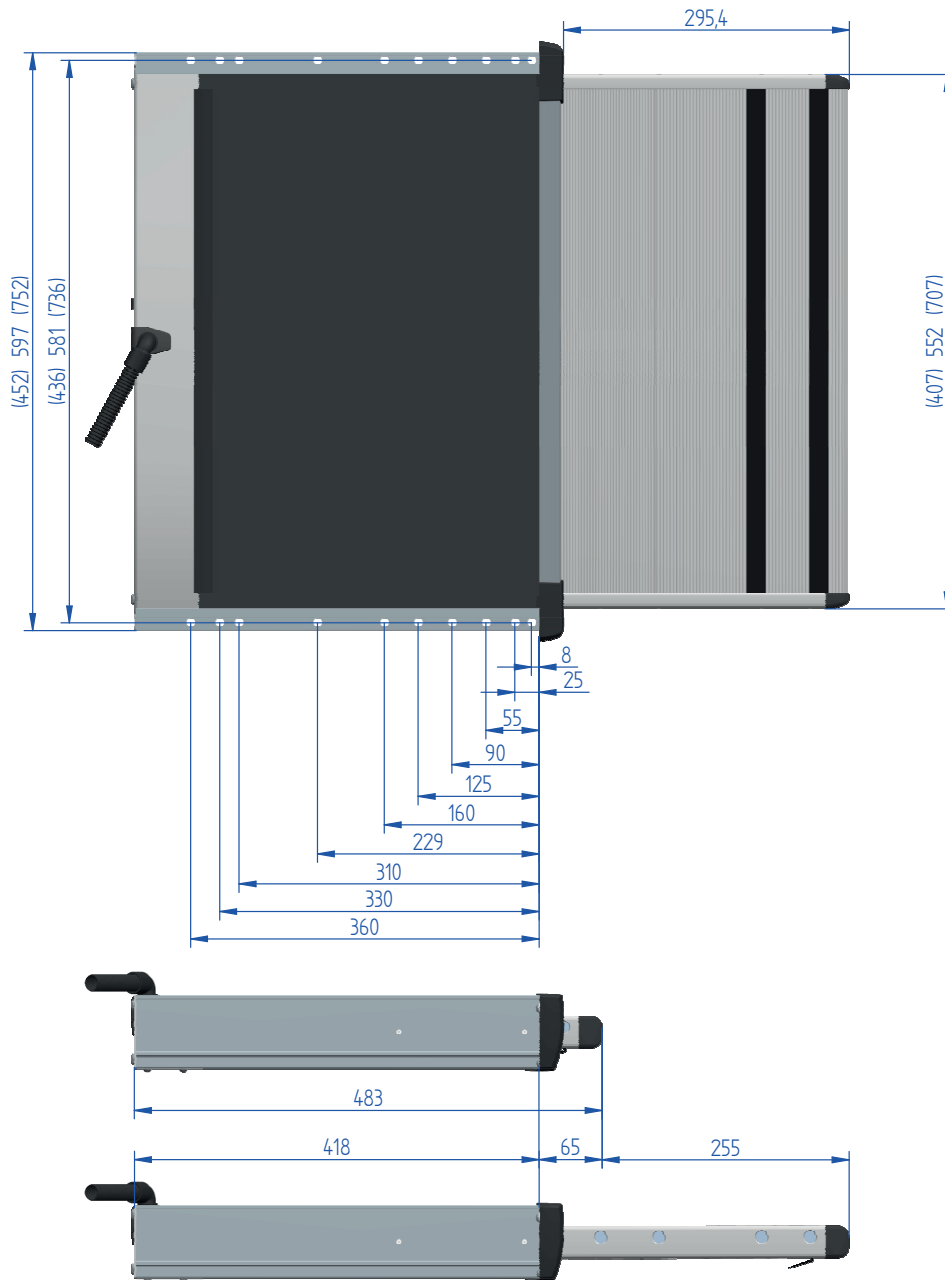
- Reduced weight
- Stronger and more reliable Slide-Out Step
- Better integration of the Slide-Out Step on the vehicle
- Easy and toolless removal of the footboard

FEATURES

- The load capacity exceeds by far the European norm 2001/85/EG (RV DIN EN 1646-1)
- Smart and stable installation
- Easy manual activation without tools in case of power failure
- Conformity with EC Norm 74/485/EEG: no sharp edges at front side
- Patented cable outlet + hook allowing more protection and flexibility during installation
- Better protection for dust infiltration: integrated brushes, cable outlet, lip profile
- Anti-slip security with safety walk
- A switch for the connection of an optional warning lamp or relay in the vehicle is supplied as standard, making it impossible to drive away with the step still out
- Conform to the EMC and CE standards
- Accessory: retrofit and integrated LED solution

DIMENSIONS

Type	Step width	Total width	Weight
400	407 mm	452 mm	5.8 kg
550	552 mm	597 mm	6.6 kg
700	707 mm	752 mm	7.7 kg



ACCESSORIES

- Thule Relay Kit for Step 12V
- Thule Control Box for Step 12V
- Thule LED Kit for Slide-Out Step

301838	Thule Slide-Out Step G2 12V 400mm - single packed with switch
301839	Thule Slide-Out Step G2 12V 550mm - single packed with switch
301840	Thule Slide-Out Step G2 12V 700mm - single packed with switch

Thule Slide-Out Step G2 12V

Ducato | Jumper | Boxer Euro 6D



INFO

- Motor / Manual 12V Motor
- Material Corrugated anodised aluminium
- This product is compliant with UN ECE R10 regulations (E8*10R606/02*15408*00, issued on 09/01/2025)

USP'S

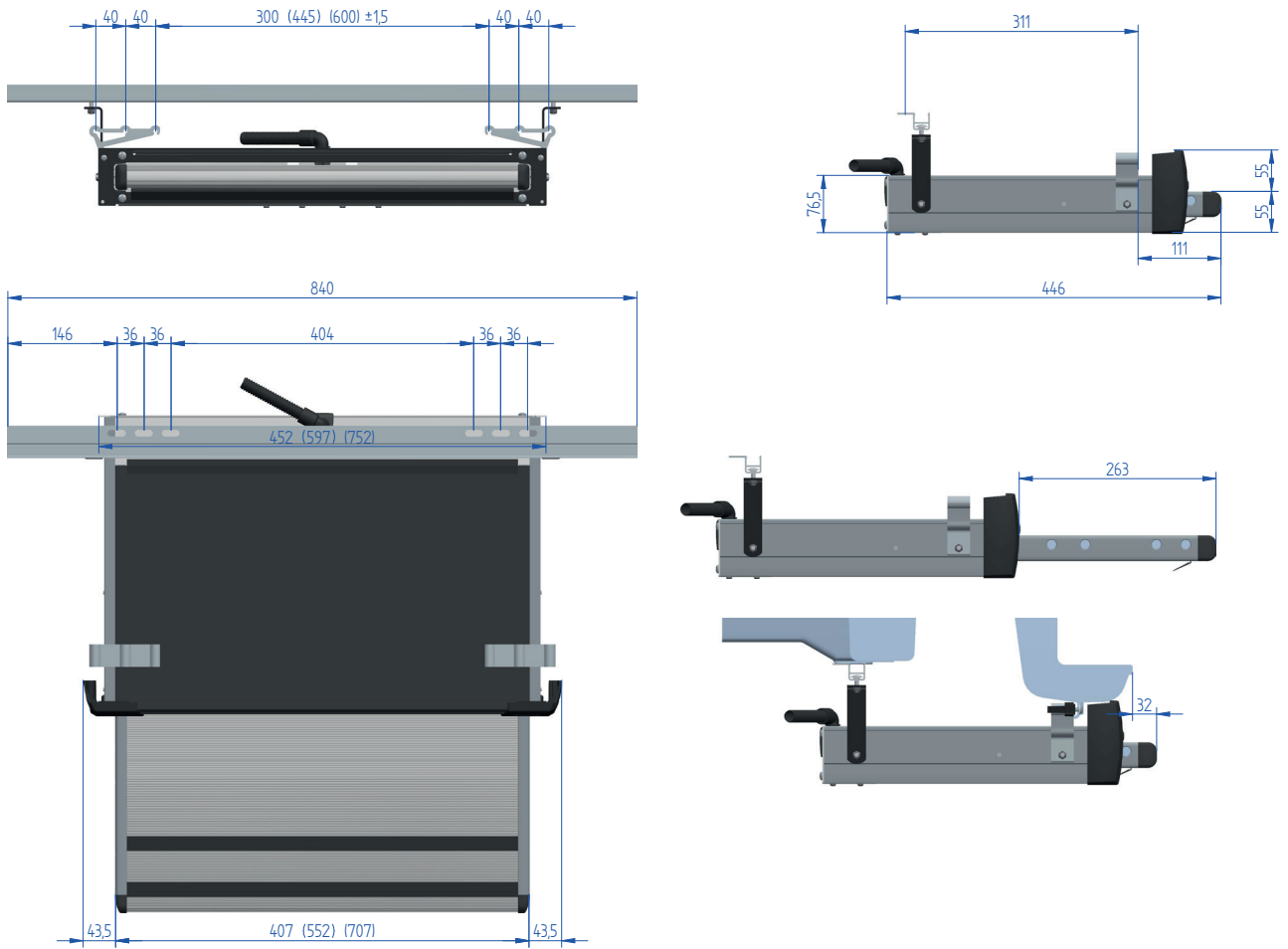
- Euro 6D compatible and reduced in weight
- Stronger and more reliable Slide-Out step
- Better integration of the Slide-Out Step on a van
- Easy and toolless removal of the footboard

FEATURES

- The load capacity exceeds by far the European norm 2001/85/EG (RV DIN EN 1646-1)
- Smart and stable installation on a Ducato, Jumper or Boxer van
- Easy manual activation without tools in case of power failure
- Conformity with EC Norm 74/485/EEG: no sharp edges at front side
- Patented cable outlet + hook allowing more protection and flexibility during installation
- Better protection for dust infiltration: integrated brushes, cable outlet, lip profile
- Anti-slip security with safety walk
- A switch for the connection of an optional warning lamp or relay in the vehicle is supplied as standard, making it impossible to drive away with the step still out
- Conform to the EMC and CE standards
- Accessory: Retrofit and integrated LED solution

DIMENSIONS

Type	Step width	Total width	Distance between the fixation parts	Weight
400	407 mm	452 mm	300 +- 1.5 mm	5.8 kg
550	552 mm	597 mm	445 +- 1.5 mm	6.5 kg
700	707 mm	752 mm	600 +- 1.5 mm	7.5 kg



ACCESSORIES

- Thule Relay Kit for Step 12V
- Thule Control Box for Step 12V
- Thule LED Kit for Slide-Out Step

301841	Thule Slide-Out Step G2 12V Ducato Jumper Boxer 400
301842	Thule Slide-Out Step G2 12V Ducato Jumper Boxer 550
301843	Thule Slide-Out Step G2 12V Ducato Jumper Boxer 700

Thule Slide-Out Step G2 12V

Crafter 2017



INFO

- Motor / Manual 12V Motor
- Material Corrugated anodised aluminium
- This product is compliant with UN ECE R10 regulations (E8*10R606/02*15408*00, issued on 09/01/2025)

USP'S

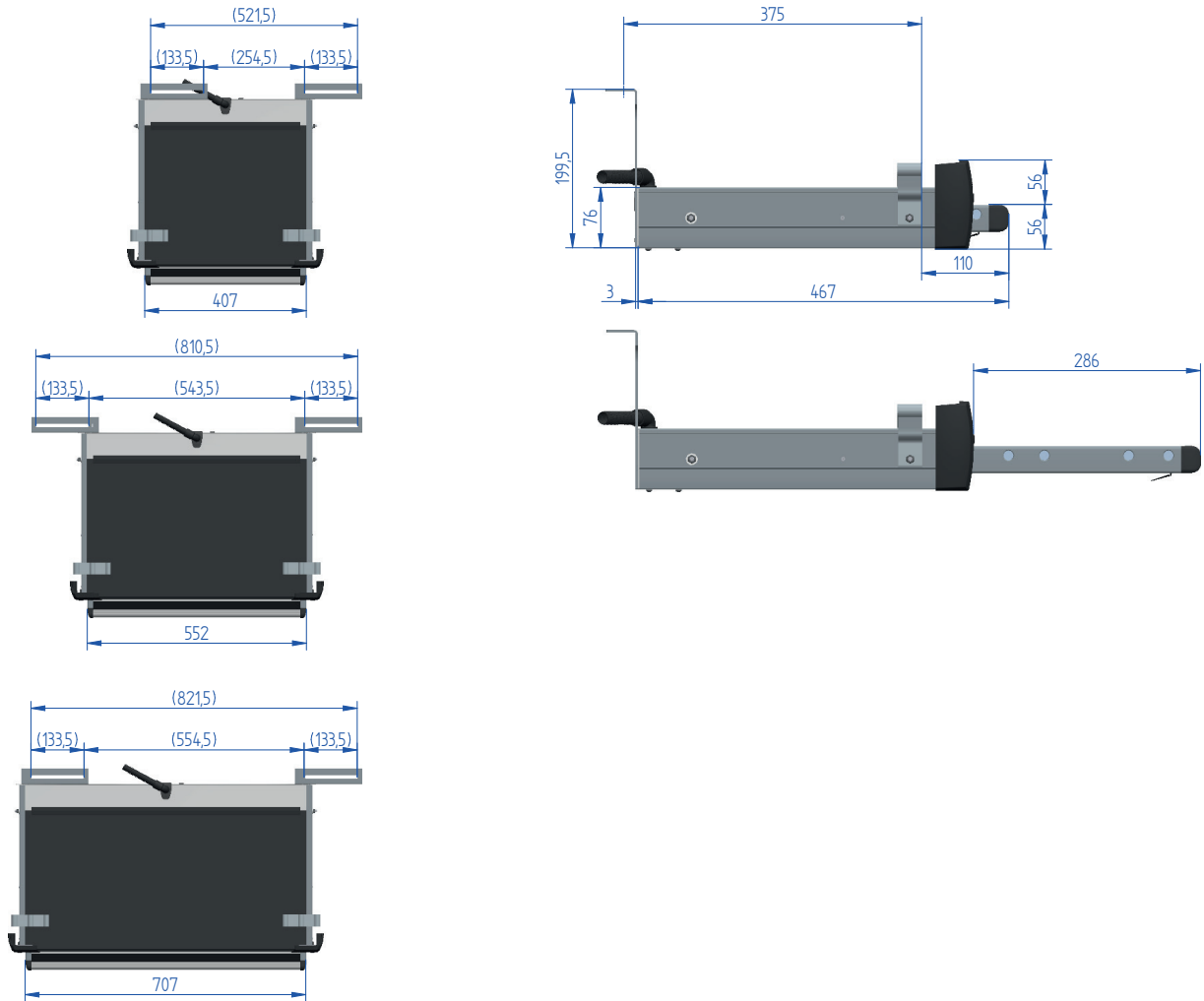
- Reduced weight
- Stronger and more reliable Slide-Out Step
- Better integration of the Slide-Out Step on the vehicle
- Easy and toolless removal of the footboard

FEATURES

- The load capacity exceeds by far the European norm 2001/85/EG (RV DIN EN 1646-1)
- Smart and stable installation on a Volkswagen Crafter Van from 2017 onwards
- Easy manual activation without tools in case of power failure
- Conformity with EC Norm 74/485/EEG: no sharp edges at front side
- Patented cable outlet + hook allowing more protection and flexibility during installation
- Better protection for dust infiltration: integrated brushes, cable outlet, lip profile
- Anti-slip security with safety walk
- A switch for the connection of an optional warning lamp or relay in the vehicle is supplied as standard, making it impossible to drive away with the step still out
- Conform to the EMC and CE standards
- Accessory: retrofit and integrated LED solution

DIMENSIONS

Type	Step width	Total width	Weight
400	407 mm	452 mm	5.8 kg
550	552 mm	597 mm	6.5 kg
700	707 mm	752 mm	7.5 kg



ACCESSORIES

- Thule Relay Kit for Step 12V
- Thule Control Box for Step 12V
- Thule LED Kit for Slide-Out Step

301844	Thule Slide-Out Step G2 12V Crafter 400
301845	Thule Slide-Out Step G2 12V Crafter 550
301846	Thule Slide-Out Step G2 12V Crafter 700

Thule Single Step V15 12V



Type 460 & 550 Alu



INFO

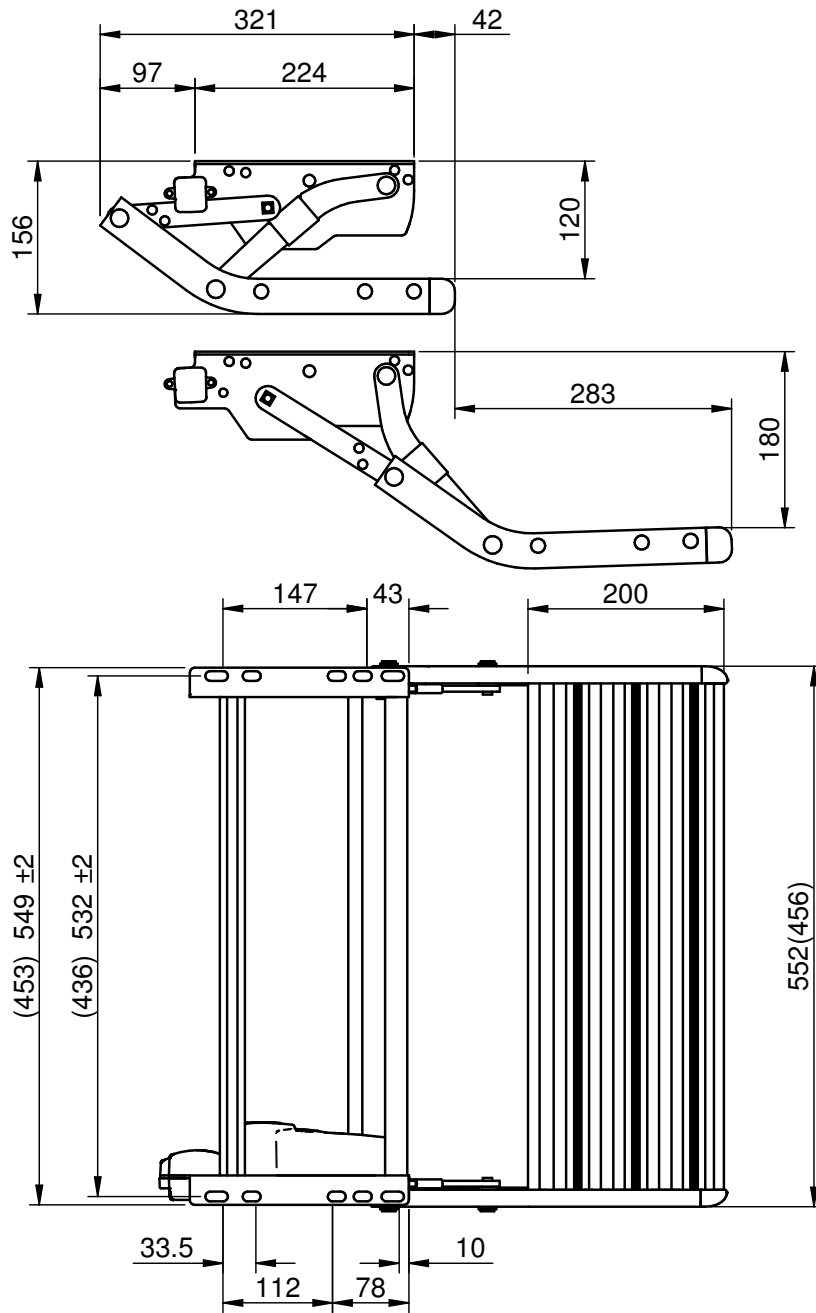
- Motor / Manual 12V Motor
- Width 460 mm - 550 mm
- Weight 4.5 kg - 4.8 kg
- Material Corrugated anodised aluminium, frame block galvanised steel
- This product is compliant with UN ECE R10 regulations (E8*10R06/02*15409*00, issued on 05/03/2025)

FEATURES

- Conform to the EMV and CE standards. The formulated quality standards exceed European standard EN1646
- A switch for the connection of an optional warning lamp in the vehicle is supplied as standard, making it impossible to drive away with the step still out

DIMENSIONS

Type	Step width	Total width	Distance between the fixation parts	Weight
460	456 mm	453 mm	436 mm +- 2 mm	4.5 kg
550	552 mm	549 mm	532 mm +- 2 mm	4.8 kg



ACCESSORIES

- Thule Relay Kit for Step 12V
- Thule Control Box for Step 12V

309969	Thule Single Step V15 12V - 460
309968	Thule Single Step V15 12V - 550

Thule Single Step Compact 12V



INFO

- Motor / Manual 12V Motor
- Material Corrugated anodised aluminium
- Width 500 mm
- Weight 5.1 kg
- This product is compliant with UN ECE R10 regulations (E8*10R06/02*15409*00, issued on 05/03/2025)

USP'S

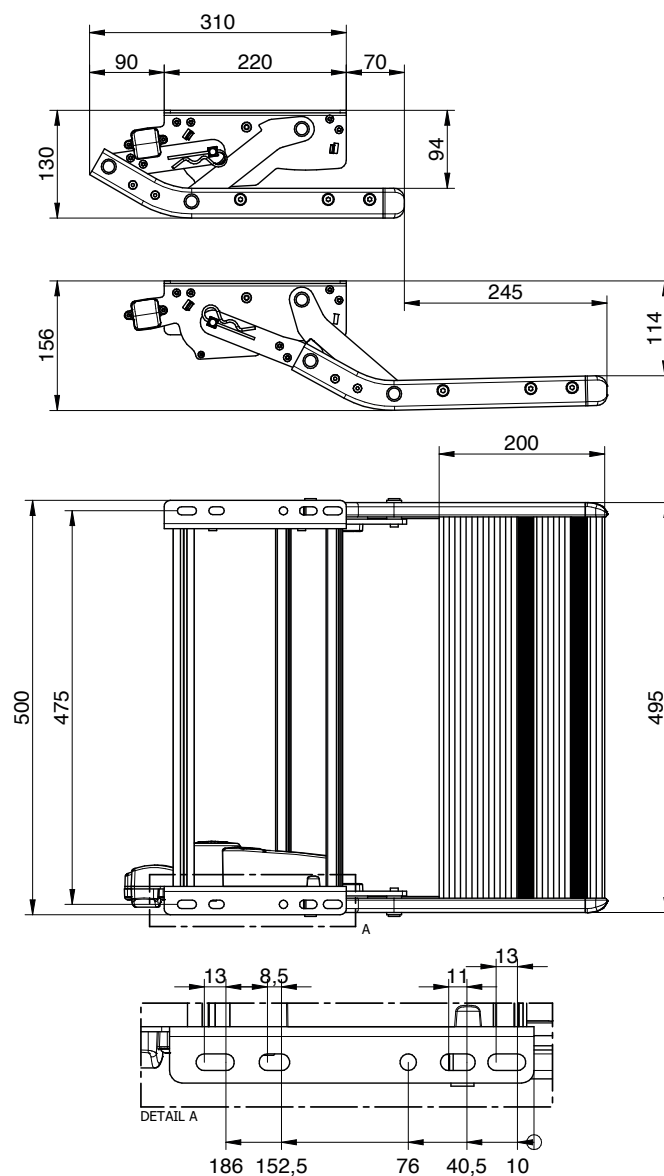
- Compact step underneath the vehicle
- Weight of only 5.1 kg
- Improved stability under light and heavy loads up to 300 kgs

FEATURES

- Addition of a compact model in the Thule Single Step product line-up
- Noise reduction during opening and closing of the step
- Better stability under load accomplished by reinforcements and design optimizations
- Conform to the EMV and CE standards. The formulated quality standards exceed European standards EN1646
- A switch for the connection of an optional warning lamp in the vehicle is supplied as standard, making it impossible to drive away with the step still out
- Accessories: Thule Relay Kit for Step 12V, Thule Control box for Step 12V

DIMENSIONS

Type	Step width	Total width	Distance between the fixation parts	Weight
500	495 mm	500 mm	475 mm +- 2 mm	5.1 kg



ACCESSORIES

- Thule Relay Kit for Step 12V
- Thule Control Box for Step 12V

301888	Thule Single Step Compact 12V 500
--------	-----------------------------------

Thule Double Step 12V

Type 380, 440 & 500 Alu



INFO

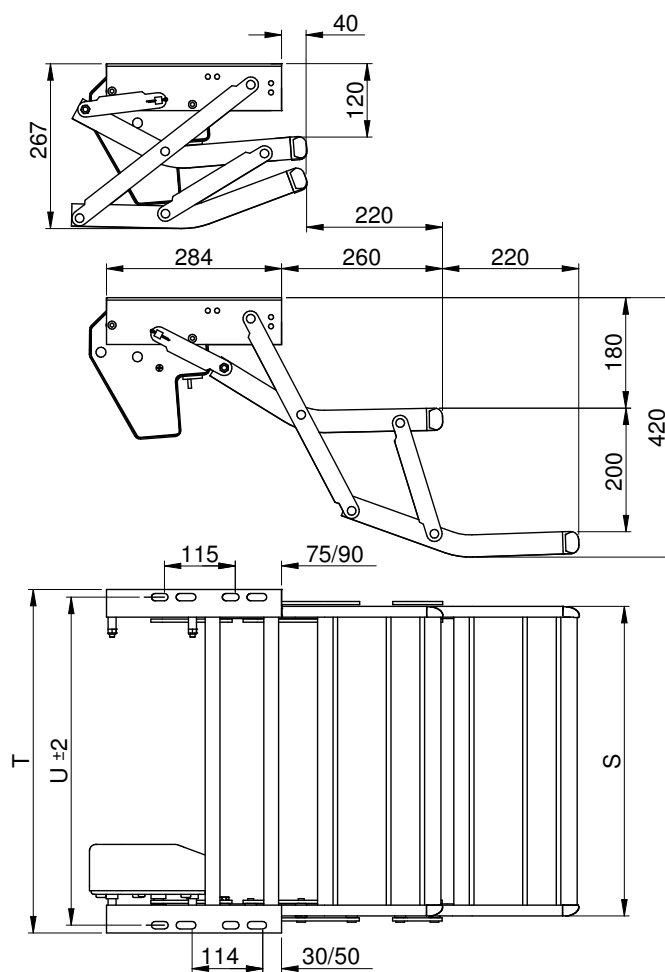
- Motor / Manual Motor
- Width 380 mm - 440 mm - 500 mm
- Weight 7 kg - 7.3 kg - 7.6 kg
- Material Corrugated anodised aluminium
- This product is compliant with UN ECE R10 regulations (certificate n° E8*10R06/02*15410*01, issued on 16/09/2025)

FEATURES

- Conform to the EMV and CE standards. The formulated quality standards exceed European standard EN1646
- A switch for the connection of an optional warning lamp in the vehicle is supplied as standard, making it impossible to drive away with the step still out

DIMENSIONS

Type	Step width	Total width	Distance between the fixation parts	Weight
380	380 mm	435 mm	410 mm +- 2 mm	7 kg
440	446 mm	501 mm	476 mm +- 2 mm	7.3 kg
500	502 mm	557 mm	532 mm +- 2 mm	7.6 kg



ACCESSORIES

- Thule Relay Kit for Step 12V
- Thule Control Box for Step 12V

307571	Thule Double Step 12V - 380
307572	Thule Double Step 12V - 440
307579	Thule Double Step 12V - 500

Thule Relay Kit for Step 12V



INFO

- Electronic relay kit for all Thule 12V entry steps
- Designed to connect to your vehicle battery to guarantee that the 12V step automatically closes when the motor starts to prevent you from driving away with the step still out

308200

Thule Relay Kit for Step 12V

Thule Control Box for Step 12V



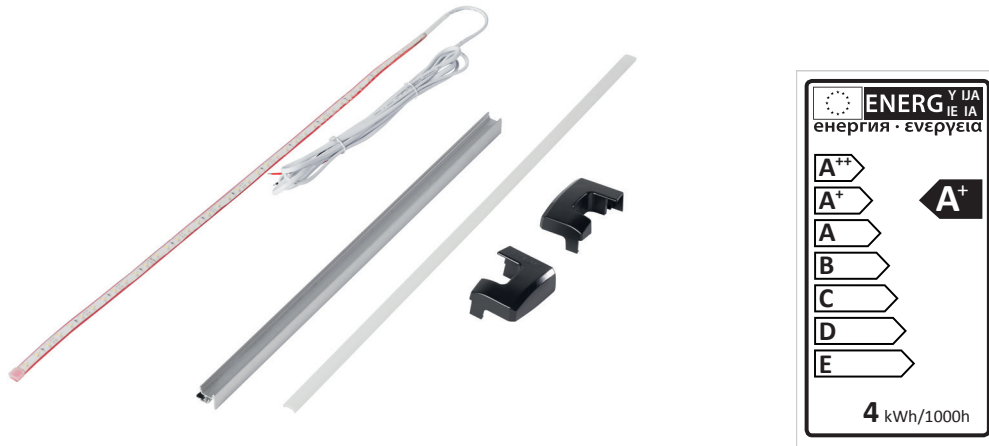
INFO

- For automatic retraction of any Thule 12V entry step when starting the engine
- The step will open and close automatically together with the vehicle's door for optimal comfort
- Connect to a selector switch which allows you to open the step permanently so you don't need to open and close the step every time

308812

Thule Control Box for Step 12V

Thule LED Kit for Slide-Out Step G2 12V



INFO

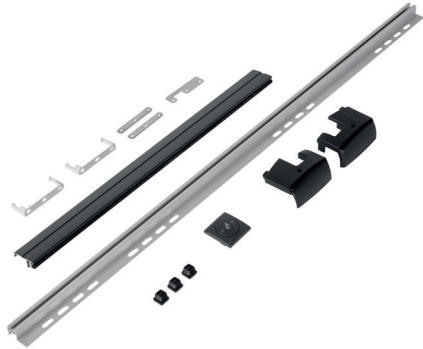
- Integrated and protected LED for optimal visibility of the footboard
- Retrofit: can be installed on Thule Slide-Out Step V12 12V, Thule Slide-Out Step V18 12V, Thule Slide-Out Step V19 12V Ducato | Jumper | Boxer and Thule Slide-Out Step V19 12V Crafter 2017

FEATURES

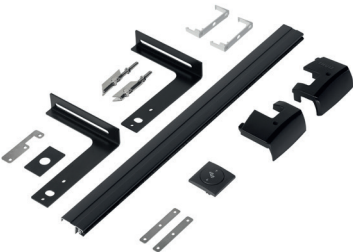
- IP67: protected for dust infiltration and the effects of immersion in water to 1 meter
 - 2 kits available:
 - for the Thule Slide-Out Steps Standard 12V (V12/V18)
 - for the Thule Slide-Out Step V19 12V Ducato | Jumper | Boxer | Crafter
 - Endcaps and aluminium front profile depend on type of step
 - Content:
 - 2 endcaps
 - front profile (670 mm)*
 - quick fit lens (670 mm)*
 - brush pile (670 mm)*
 - LED Strip (670 mm)*
- *For a 700 mm step. Cut to 515 mm for a 550 mm step. Cut to 370 mm for a 400 mm step

301477	Thule LED Kit for Slide-Out Step Standard 12V
301867	Thule LED Kit for Slide-Out Step G2 12V - Ducato Jumper Boxer Crafter

Mounting Kit for Thule Slide-Out Step G2 12V



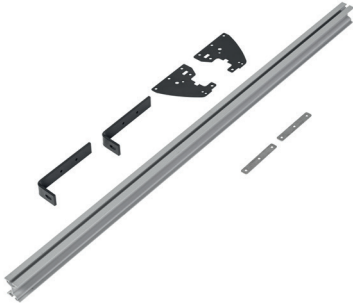
301877 Mounting Kit for Thule Slide-Out Step G2 12V - Ducato | Jumper | Boxer | Euro 6D-Temp



301878 Mounting Kit for Thule Slide-Out Step G2 12V - Crafter 2017 - 400/700



301879 Mounting Kit for Thule Slide-Out Step G2 12V - Crafter 2017 - 550



301880 Mounting Kit for Thule Slide-Out Step G2 12V - Ducato < 2006



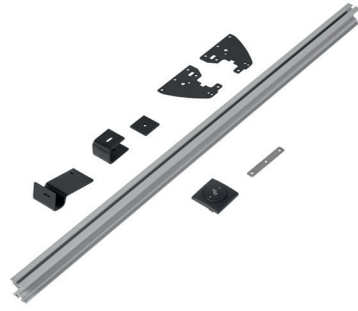
301881 Mounting Kit for Thule Slide-Out Step G2 12V - Sprinter > 05/2006 4WD/RWD | Crafter 05/2006-2017



301885 Mounting Kit for Thule Slide-Out Step G2 12V - Sprinter > 2017 FWD - 550



301882	Mounting Kit for Thule Slide-Out Step G2 12V - Master > 2010
--------	--



301883	Mounting Kit for Thule Slide-Out Step G2 12V - Transit < 2015
--------	---



301898	Mounting Kit for Thule Slide-Out Step G2 12V - Transit ≥ 2014 FWD
--------	---



301899	Mounting Kit for Thule Slide-Out Step G2 12V - Transit ≥ 2014 AWD
--------	---

303212	Mounting Kit for Thule Slide-Out Step G2 12V - Master > 2024 400/550/700 (for SLO G2 Crafter)
--------	---

Thule Single Step V10 Manual



Type 550 Alu



INFO

- Motor / Manual Manual
- Width 550 mm
- Weight 4.1 kg
- Material Corrugated anodised aluminium

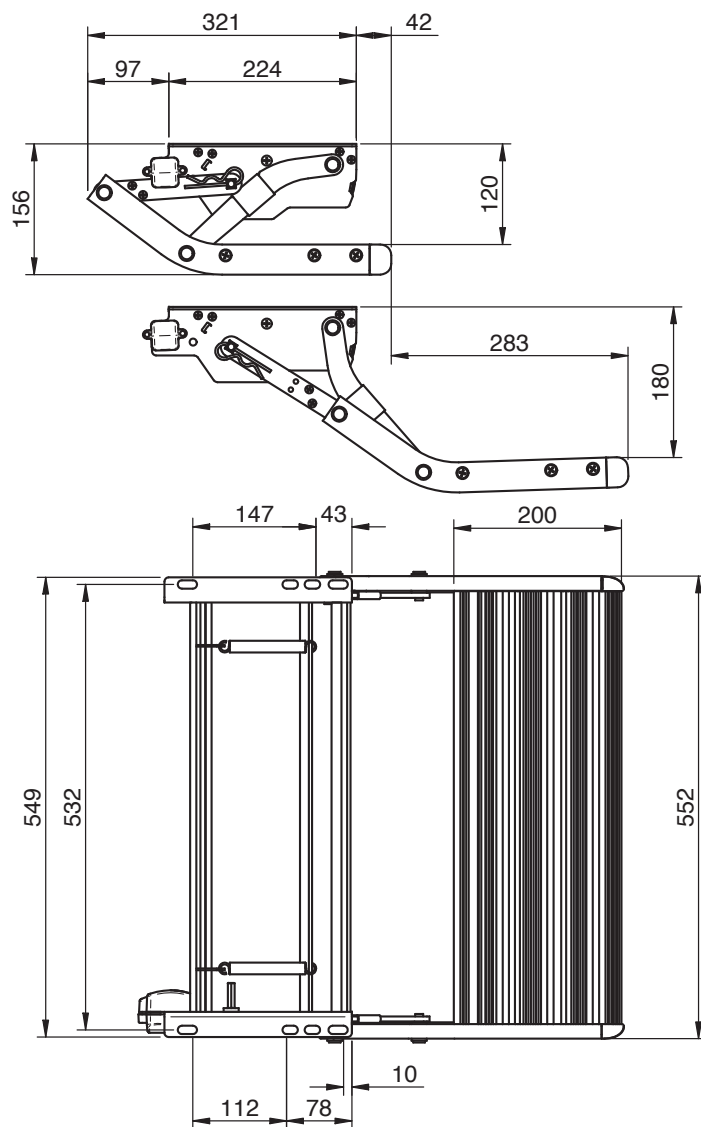
FEATURES

- A switch for the connection of a warning lamp in the vehicle is supplied as standard, making it impossible to drive away with the step still out

DIMENSIONS

Type	Step width	Weight
550	552 mm	4.1 kg

308766	Thule Single Step V10 Manual - 550
--------	------------------------------------



Thule Slide-Out Step Manual



Type 400 Alu



INFO

- Motor / Manual Manual
- Width 400 mm
- Weight 4.7 kg
- Material Corrugated anodised aluminium

FEATURES

- Locked in closed position
- Installation brackets: different heights: 9/35/62/88 mm

WARNING

- Not suitable for installation at the cabin door of the vehicle

DIMENSIONS

Type	Step width	Total width	Weight
400	406 mm	485 mm	4.7 kg

307564	Thule Slide-Out Step Manual - 400
--------	-----------------------------------

